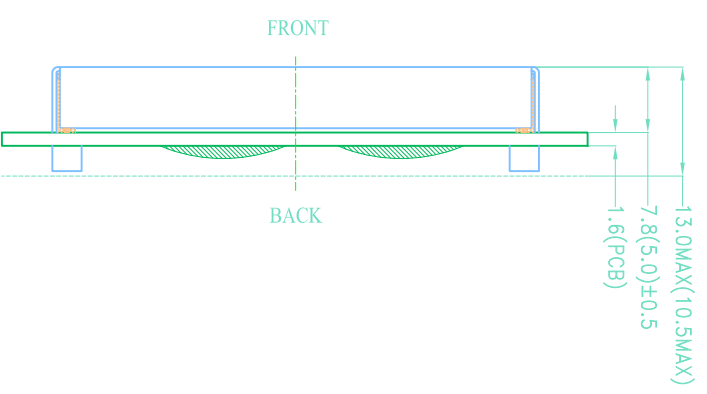
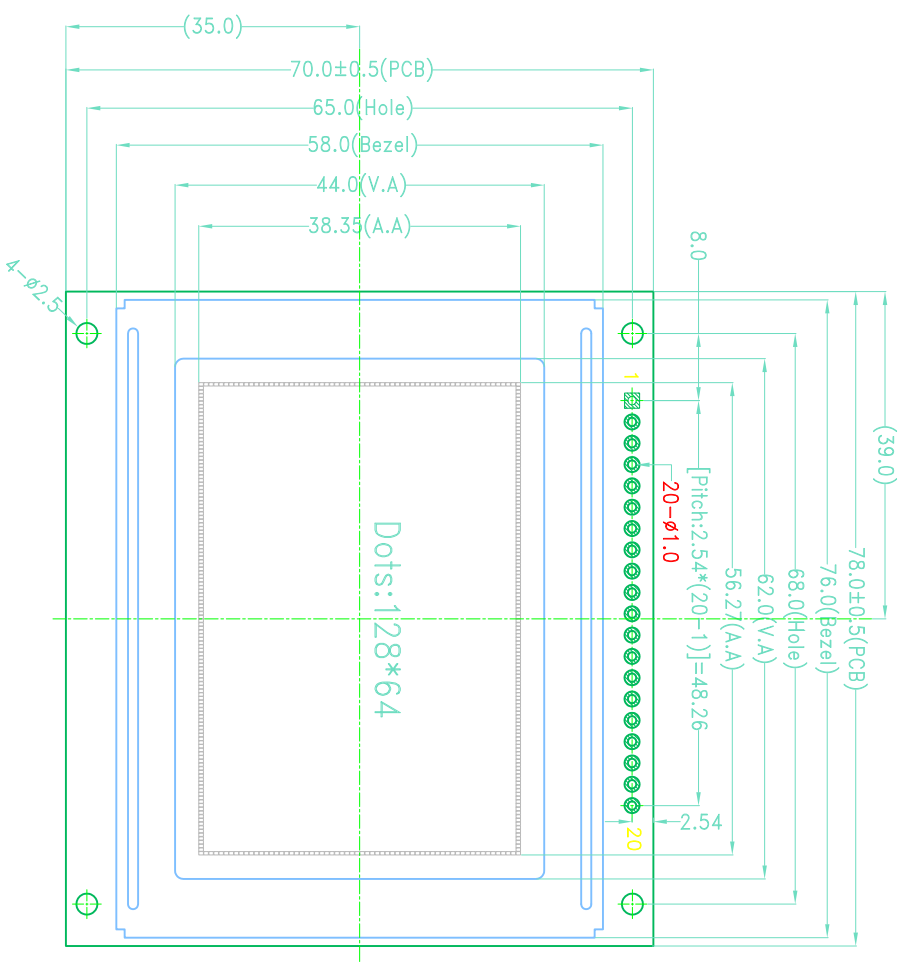


VERSION	CHANGE CONTENT	DATE
V01	FIRST ISSUE	2015.07.10

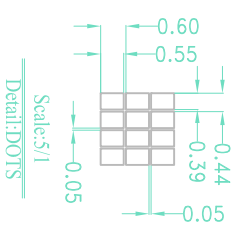


PCB Pin Assignment:

1	FG
2	VSS
3	VDD
4	V0
5	WR
6	RD
7	CE
8	C/D
9	RSTB
10	DB0
11	DB1
12	DB2
13	DB3
14	DB4
15	DB5
16	DB6
17	DB7
18	FS
19	A
20	K

**SPECIFICATIONS**

1. DISPLAY TYPE: STN Y/G/STN BLUE / STN Positive/Negative
2. DISPLAY RESOLUTION: 128\*64
3. LCD DRIVING VOLTAGE: TBD
4. LOGIC VOLTAGE: 5.0 V
5. VIEWING DIRECTION: 0°/CLOCK
6. OPERATING TEMP: 0°C ~ +50°C
7. STORAGE TEMP: -10°C ~ +60°C
8. LCD CONTROLLER / DRIVE: T6963C (Or Compatible)
9. DRIVE MODE: 1/64 DUTY, 1/9 BIAS
10. BACKLIGHT: SIDE LED BACKLIGHT
11. REMARK:



DESCRIPTION:		ThingWell Electronics	
SCALE: 1:1			
SHEET: 1 OF 1			
UNIT: mm	PROJECTION	LCD NUMBER	DRAWING VERSION
			V01
APP:		CHK:	DWN:
DATE:		DATE:	DATE:

MECHANICAL TOLERANCE: x±0.3, x.x±0.2