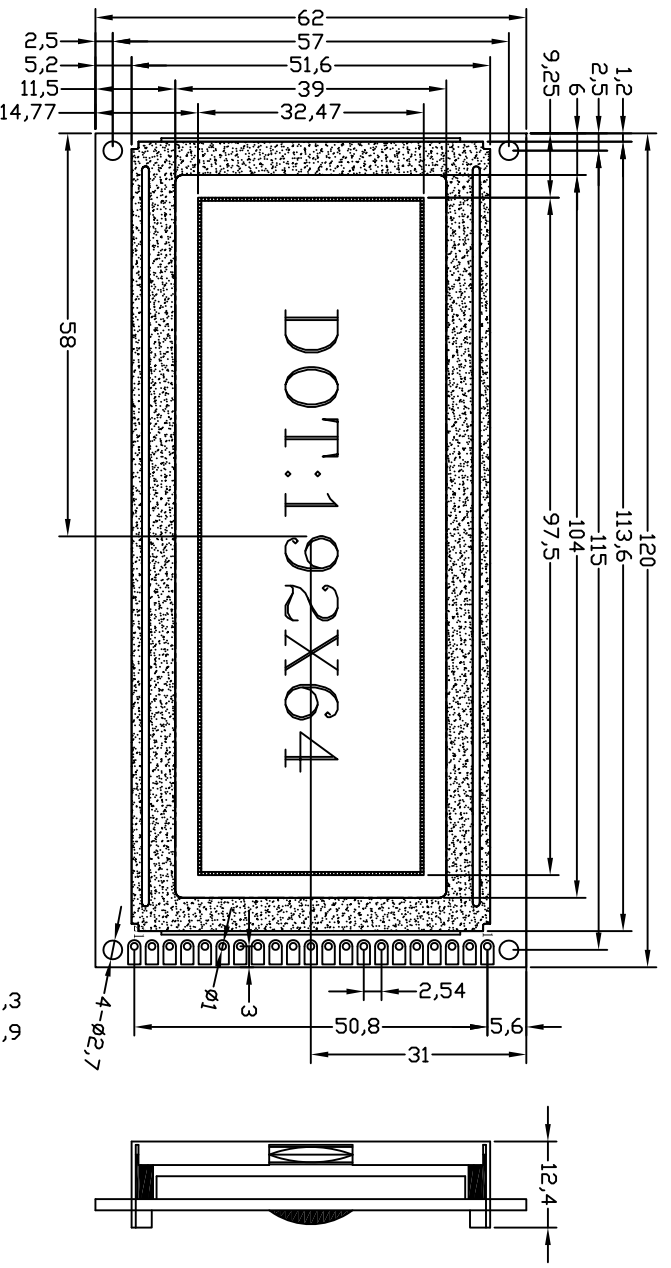


VERSION	CHANGE CONTENT	DATE



PCB ASSIGNMENT:

1	VSS	12	DB4
2	VDD	13	DB5
3	V0	14	DB6
4	VEE	15	DB7
5	RS	16	CS1
6	R/W	17	CS2
7	E	18	CS3
8	DB0	19	RES
9	DB1	20	A
10	DB2	21	K
11	DB3	22	/

SPECIFICATIONS

1. DISPLAY TYPE: SIN Y/G, POSITIVE/TRANSPARENT
 2. DISPLAY RESOLUTION: 192x64
 3. LCD DRIVING VOLTAGE: 5.0V
 4. LOGIC VOLTAGE: 5.0V
 5. VIEWING DIRECTION: 6 O'CLOCK
 6. OPERATING TEMP: -20 ° C ~ 70 ° C.
 7. STORAGE TEMP: -30 ° C ~ 80 ° C.
 8. LCD CONTROLLER PART#: A1P1107 (FPS) + A1P1108 (FPS) (OR EQUIVALENT)
 9. DRIVE MODE: 1/64 DUTY, 1/9 BIAS
 10. BACKLIGHT: SIDE VOLTAGE: 4.2V ELECTRICITY: 120ma) COLOR: V/G
 11. REMARK: Controller Built-in European-English Font
- MECHANICAL TOLERANCE: X.X ±0.3 X.XV ±0.2

DESCRIPTION:

SCALE: 1:1

SHEET: 1 OF 1

ThingWell Electronics

PROJECTION

LCM NUMBER

W19264C

UNIT: mm

DRAWING VERSION

V01

APP:

CHK:

DWN:

DATE:

DATE:

DATE:

DOTS SIZE
SCALE: 10:1