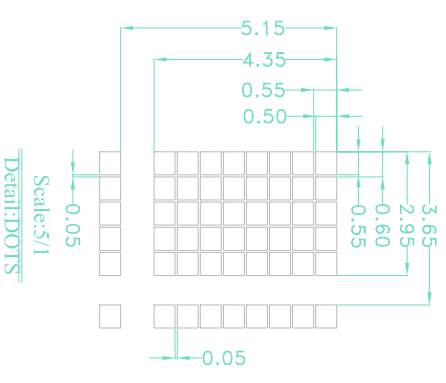
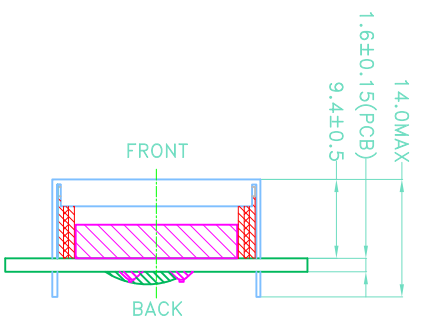
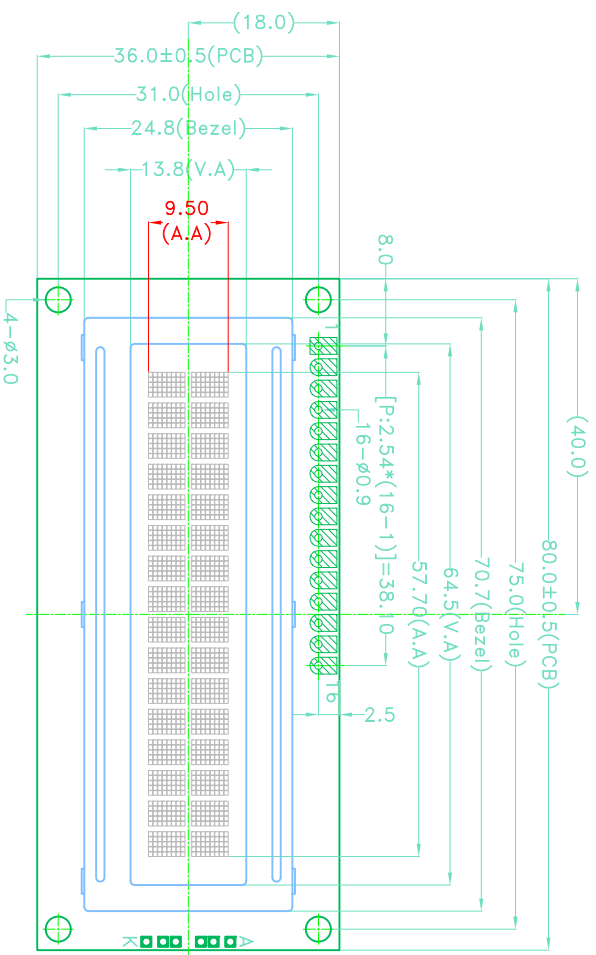


VERSION	CHANGE CONTENT	DATE
V01	FIRST ISSUE	2015.07.10



SPECIFICATIONS

1. DISPLAY TYPE:STN V/G/STN BLUE/ESTN Positive/Negative
2. DISPLAY RESOLUTION: 16*02 CHARACTER
3. LCD DRIVING VOLTAGE:4.5V
4. LOGIC VOLTAGE:5.0 V
5. VIEWING DIRECTION:6 O'CLOCK
6. OPERATING TEMP:-10°C -- +50°C
7. STORAGE TEMP:-10°C -- +60°C
8. LCD CONTROLLER/DRIVE:ST066 (Or Compatible)
9. DRIVE MODE:1/16 DUTY,1/5 BIAS
10. BACKLIGHT: SIDE LED BACKLIGHT
11. REMARK:

PCB PIN ASSIGNMENT:

1	VSS	9	DB2
2	VDD	10	DB3
3	V0	11	DB4
4	RS	12	DB5
5	W/R	13	DB6
6	E	14	DB7
7	DB0	15	BLA
8	DB1	16	BLK

DESCRIPTION:

ThingWell Electronics

SCALE: 1:1		
SHEET: 1 OF 1		
UNIT: mm	PROJECTION	LCM NUMBER
APP:	DRAWING VERSION	W1602A
DATE:	CHK:	V01
	DWN:	
	DATE:	

MECHAICAL TOLERANCE:x±0.3,x.x±0.2