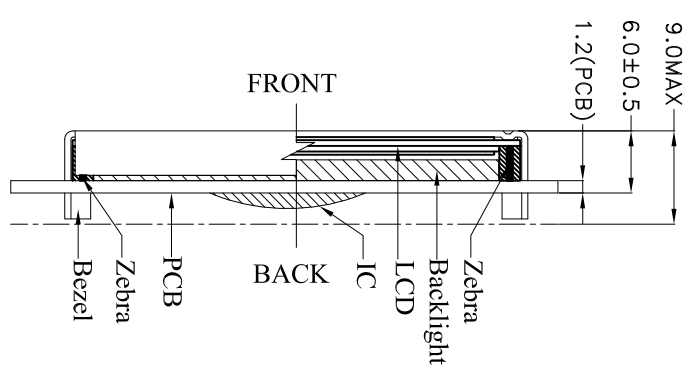
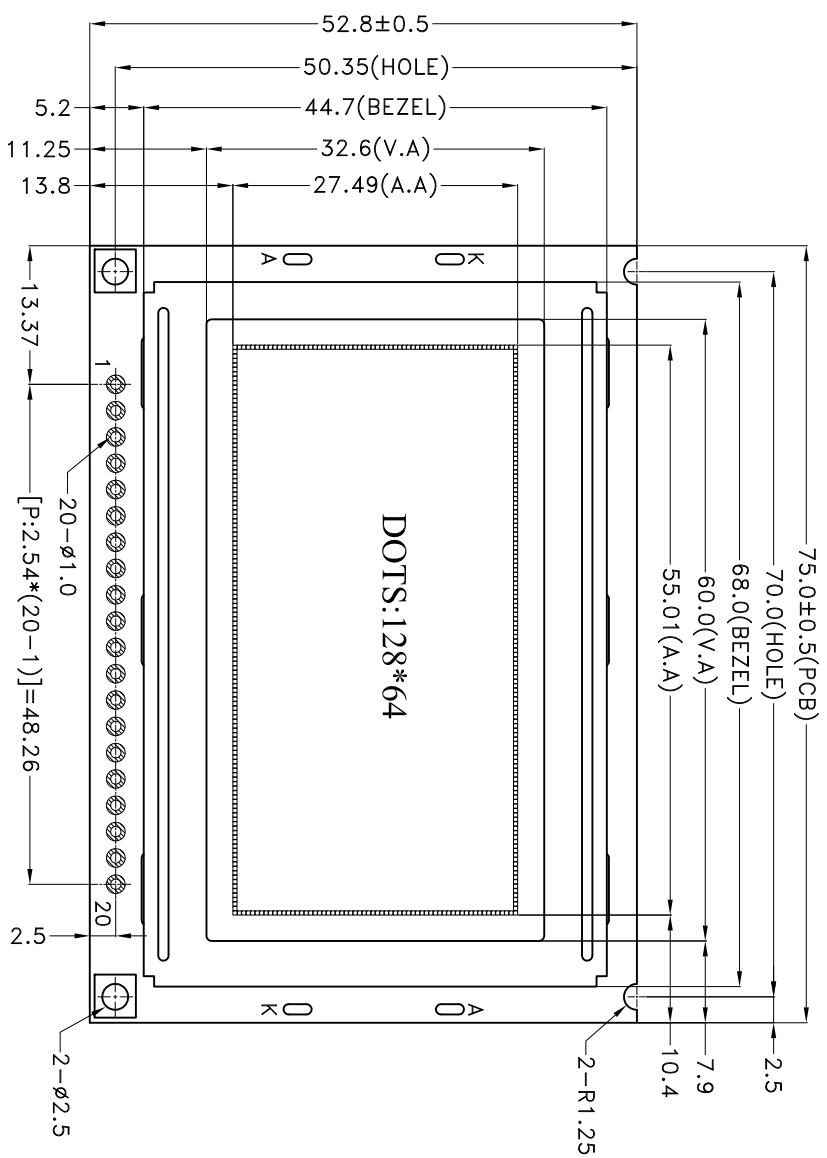
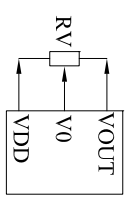


VERSION	CHANGE CONTENT	DATE
V01	FIRST ISSUE	2015.07.10



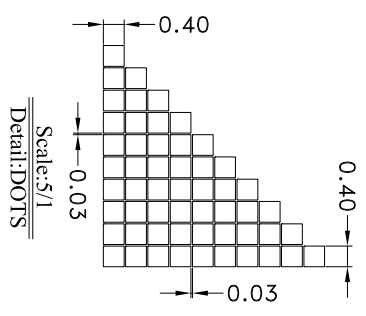
PCB ASSIGNMENT:

1	VDD
2	VSS
3	V0
4	DB0
5	DB1
6	DB2
7	DB3
8	DB4
9	DB5
10	DB6
11	DB7
12	CS1
13	CS2
14	/RST
15	R/W
16	RS
17	E
18	VOUT
19	BLA
20	BLK



SPECIFICATIONS

1. DISPLAY TYPE:STN Y/G/STN BLUE /STN Positive/Negative
2. DISPLAY RESOLUTION: 128*64
3. LCD DRIVING VOLTAGE: VOUT:-4.9V,V0:-4.6V
4. LOGIC VOLTAGE: 5.0 V
5. VIEWING DIRECTION: 6 O'CLOCK
6. OPERATING TEMP: 0°C--+50°C
7. STORAGE TEMP: -10°C--+60°C
8. LCD CONTROLLER/DRIVE: AIP3107 and AIP31108(O Compatible)
9. DRIVE MODE: 1/64 DUTY 1/9 BIAS
10. BACKLIGHT: SIDE LED BACKLIGHT
11. REMARK:



DESCRIPTION:

ThingWell Electronics

SCALE: 1:1		
SHEET: 1 OF 1		
UNIT: mm	PROJECTION	LCM NUMBER
APP:	DRAWING VERSION	W12864C
DATE:	CHK:	V01
	DWN:	
	DATE:	

MECHANICAL TOLERANCE: x±0.3, x.x±0.2